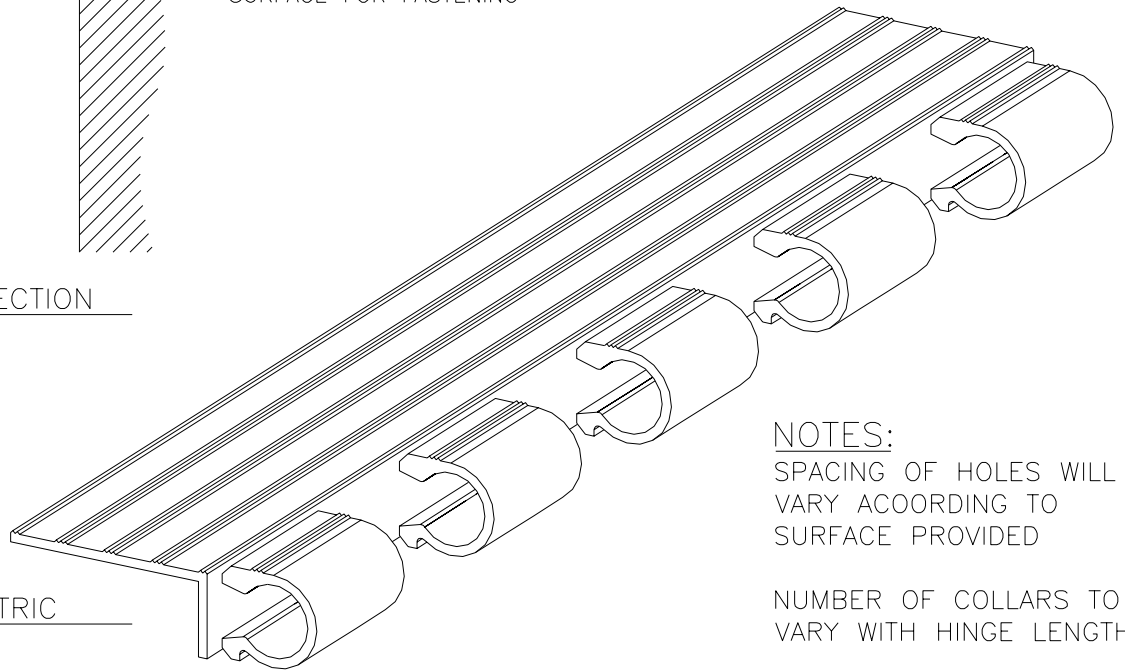


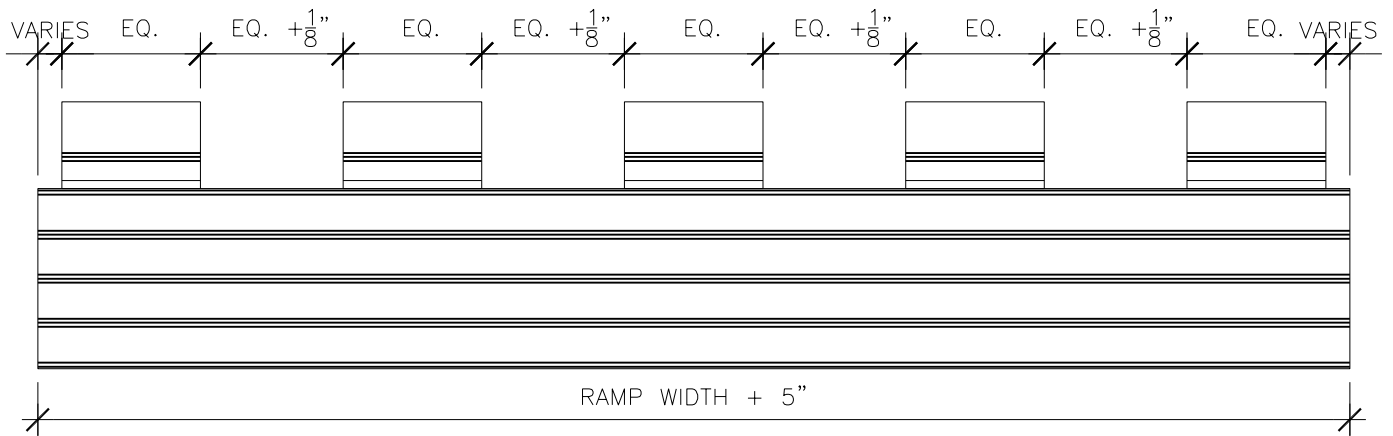
1 CROSS SECTION
6"=1'-0"



3 AXONOMETRIC
N.T.S.

NOTES:
SPACING OF HOLES WILL VARY ACCORDING TO SURFACE PROVIDED

NUMBER OF COLLARS TO VARY WITH HINGE LENGTH.



2 PLAN VIEW OF HINGE
N.T.S.

FILE NAME: ADA PIANO HINGE DETAILS.DWG

www.gangways.biz
docksramps@aol.com

207.584.5933 TEL
207.584.2018 FAX

SUPERIOR DOCKS
21 TOWN LINE ROAD
WALTHAM, MAINE 04605

ADA "PIANO" HINGE
DETAILS